

Earthing locknuts and earth tags

Technical specification

Earthing locknuts

Raxton earthing locknuts offer an alternative to the standard earth tag when terminating a metallic cable gland into a thin wall steel enclosure. The earthing locknut design includes a number of cutting teeth formed on one surface of the nut. When tightened, these teeth cut into the enclosure wall, preventing the nut from turning and enabling the gland to be tightened to the nut from the outside with only one tool. This allows all connections of the gland to be made within the enclosure, away from the corrosive or flammable atmosphere and away from possible mechanical damage, and results in a neater appearance. The nut may also be fitted with the plain side facing the enclosure where this is preferred.

Product dimensions

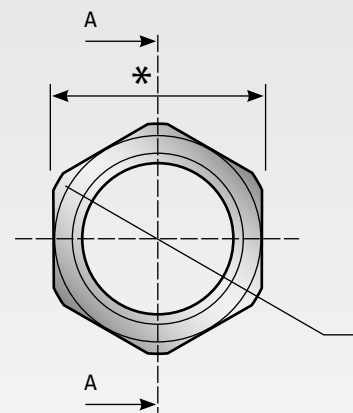
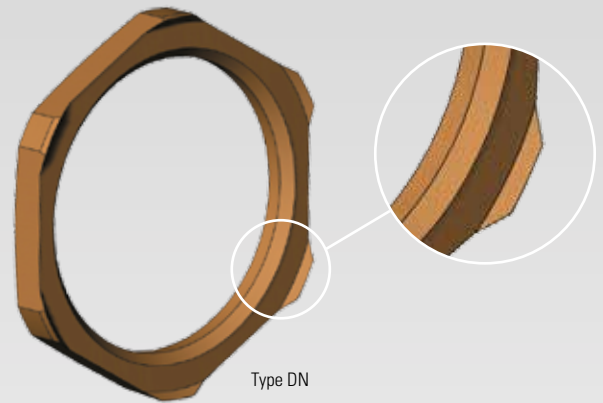
Female thread	Thread coding	A/F dims (mm)	Female thread	Thread coding	A/F dims (mm)
M12	0010	14.0	½" NPT	0042	30.0
M16	0011	18.0	¾" NPT	0043	36.0
M20	0012	23.0	1" NPT	0044	42.0
M25	0013	28.0	1¼" NPT	0045	50.0
M32	0014	36.0	1½" NPT	0046	55.0
M40	0015	44.0	2" NPT	0047	70.0
M50	0016	54.0	2½" NPT	0048	80.0
M63	0017	70.0	3" NPT	0049	98.0
M75	0018	92.0	3½" NPT	0086	115.0
M90 x 2.0	0019	108.0	4" NPT	0087	130.0

Other sizes / threads are available upon request.

Earth tags

Raxton earth tags provide a means of connecting a flexible earth bond with the gland, thread adaptor or thread reducer in any required position while ensuring suitable earth continuity.

Available in brass, aluminium and stainless steel and supplied self-colour as standard, additional plating is available if required.



PRODUCT CODING EXAMPLE

Earth tag	Brass	(M)	M20 (F)	-	PART NUMBER
DM	A	00	12		= DMA0012

For full product coding details, consult page 29.